



汽油机零部件图册

PART CATALOGUE

LC1P92F-1



隆鑫通用动力股份有限公司

LONCIN MOTOR CO.,LTD.

整机状态: 垂直轴普通型-消无-化不带电磁阀-传无-A轴-点金属帽-点抗干扰-火RC12YC-带汽油泵-起罩黑环-箱体机油尺安装孔处加筋-拉盘6#本色黑-风扇罩6#本色黑-油箱无色-书中性英文-贴中性英文-贴EC-纸整体包装-条英文【K2149, 意大利E, 排气口密封垫随机打包】

易损属性说明: 指在日常正确操作使用过程中该零部件易磨损的程度, 作用是指导客户合理储备。A类代表容易磨损、B类代表不易磨损、C类代表基本不磨损。建议储备标准: A类零件按最高库存量储备, B类零件按最低库存量储备, C类零件少量储备。(Note vulnerable properties; Refers to the degree of wear and tear in the day-to-day operation of the correct use of this part which according to guide customers reasonable reserves. A for wear and tear easily, B for wear and tear is not easy while C for wear and tear on behalf of the non-basic. The part of A proposal by the highest parts inventory reserves; B for stocking pieces according to the minimum reserves and C to make few reserves)

机型Model: LC1P92F-1 状态Status Code: K2149 成品编码 Code Number: T381-00067-001-038 版本号: 2014-1

气箱头 (Gear Box Assy)

序号 No.	零部件件号 Part No.	零部件名称	Description	规格状态	数量 Reqd. QTY	易损属性 CONSUMABLE GRADE
1	380600116-0001	定位销	Pin, Dowel	T110_d=12_L=20;	2	C
2	120150146-0001	气缸头密封垫	Gasket, Cylinder	T380_石墨;	1	A
3	380180088-0001	双头螺栓	Bol t, Stud	T370_M6/8_L=138; 镀蓝白锌Q16	2	C
4	120080436-0001	气缸头	Head Comp., Cylinder	T381;	1	B
5	270960028-0001	火花塞	Spark Plug	RC12YC;	1	A
6	380140335-0001	六角头法兰面螺栓	Bol t, Cylinder Head	T370_M10×1.25_L=85; 镀蓝白锌Q16	4	C
7	120250028-0001	气缸头盖密封垫	Packing, Head Cover	T381_软木橡胶板;	1	A
8	120220032-0001	气缸头盖组合	Cover Comp., Head, Left	T381;	1	C
9	380020070-0001	六角头轴肩螺栓	Bol t, Hexagonal	6×16.5-8×3.5; 镀蓝白锌Q16	4	C
10	180650074-0001	排气口密封垫	Gasket, Ex. Pipe	T370_石墨;	1	C

导风部件 (Blower Housing)

序号 No.	零部件件号 Part No.	零部件名称	Description	规格状态	数量 Reqd. QTY	易损属性 CONSUMABLE GRADE
1	160180024-0001	叶轮	Fan, Cooling	T381;	1	B
2	193590013-0001	启动盘	Pulley, Starter	T370; 镀蓝白锌Q16	1	C
3	380370050-0001	六角法兰面螺母	Nut, Special	T110_M16×1.5; 镀蓝白锌Q16	1	C
6	380020087-0001	六角头轴肩螺栓	Bol t, Hexagonal	T390_M6×21.8(Φ8×10.8); 镀蓝白锌Q16	1	C
7	160190050-0001	空气导流罩	Shroud Comp	T381_2#;	1	B
8	380140067-0003	六角头法兰面螺栓	Bol t, Flange, M6×12	GB/T 5789_M6_L=12; 镀蓝白锌Q16	1	C
9	380020070-0001	六角头轴肩螺栓	Bol t, Hexagonal	T370_M6×16.5(Φ8×3.5); 镀蓝白锌Q16	3	C
10	160210046-0001	风罩罩部件	Cover Comp., Fan	T381;	1	B
12	195360009-0003	启动器外罩	Case, Starter Outer	T381; 黑环	1	B

点火系统 (Flywheel)

序号 No.	零部件件号 Part No.	零部件名称	Description	规格状态	数量 Reqd. QTY	易损属性 CONSUMABLE GRADE
1	270880145-0001	调压整流器	Rectifier	T381;	1	A
2	380140067-0003	六角头法兰面螺栓	Bol t, Flange, M6×12	GB/T 5789_M6_L=12; 镀蓝白锌Q16	2	C
3	271280021-0001	连接线	Output Wire, Rectifier	T381_整流器输出线;	1	A
4	270190012-0001	充电线圈部件	Coil Assy, Charge	T381;	1	A
5	380140054-0003	六角法兰面螺栓	Bol t, Flange, M6×30	GB/T 5789_M6_L=30; 镀蓝白锌Q16	4	C
6	270020229-0001	磁电机转子部件	Flywheel Comp	T370_取消磁钢护板;	1	B
7	380140103-0004	六角头法兰面螺栓	Bol t, Flange, M6×25	GB/T 5789_M6_L=25; 镀蓝白锌Q16	2	C
8	270920251-0001	点火线圈	Coil Assy, Ignition	T370_抗干扰, 带金属屏蔽帽;	1	B
9	380930027-0001	定位线卡	Location cable clip	T560_燕尾卡;	1	B

启动电机部件 (Starting Motor Assy)

序号 No.	零部件件号 Part No.	零部件名称	Description	规格状态	数量 Reqd. QTY	易损属性 CONSUMABLE GRADE
1	270360077-0001	启动电机部件	Starter Motor	T381_安装孔水平; 3#亚光黑HOA	1	B
2	270910008-0001	调压整流支架	Bracket	T381;	1	C
3	380140453-0001	六角头法兰面螺栓 M8×80	Bol t, Flange, M8×80	GB/T 5789_M8_L=80_S=12; 镀蓝白锌Q16	2	C

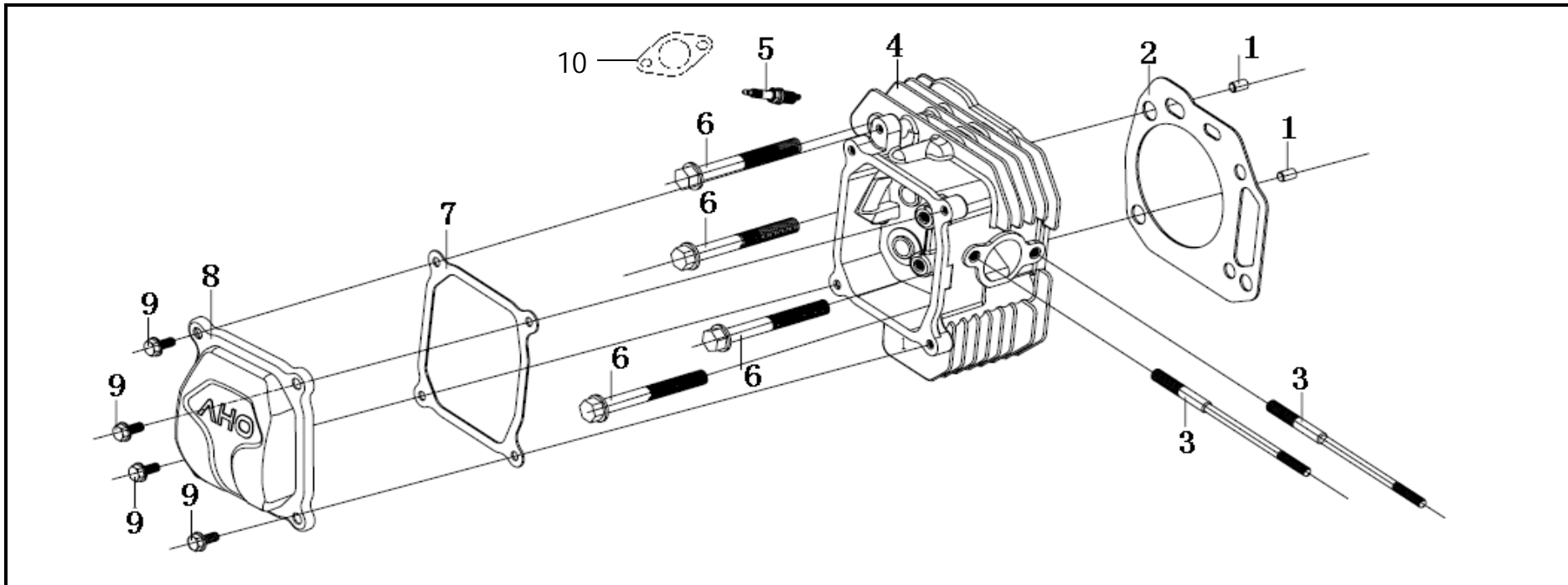
调速控制系统 (Governor)

序号 No.	零部件件号 Part No.	零部件名称	Description	规格状态	数量 Reqd. QTY	易损属性 CONSUMABLE GRADE
1	380140013-0005	六角头法兰面螺栓	Bol t, M6×16	GB/T 5789_M6_L=16; 镀蓝白锌Q16	1	C
2	171680036-0001	油门操纵手柄组合	Control assy	T370; 镀蓝白锌 Q16	1	B
3	380140209-0001	六角头法兰面螺栓	Bol t, Flange, M6×14	GB/T 5789_M6_L=14; 镀蓝白锌Q16	2	C
4	171600020-0001	调速弹簧	Spring, Governor	T370;	1	A
5	380370066-0001	六角法兰面螺母 M6	Nut, Flange, M6	GB/T 6177_1_不带防滑齿_M6; 镀蓝白锌Q16	1	C
6	171620013-0003	调速支架	Arm, Governor	T370; 带方头平端固定螺钉/六角法兰面螺母_不带防滑	1	C
7	380250002-0001	方头平端固定螺栓	Bol t, Governor Arm	T040_M6_L=21(13mm); 调速支架固定	1	C
8	171590013-0001	油门拉杆	Rod, Governor	T370;	1	B
9	171490002-0001	阻风门杆	Rod, Choke	T370;	1	B
10	380020071-0001	六角头轴肩螺栓	Bol t, Hexagonal	T370_M6×15(Φ10×1.8); 镀蓝白锌Q16	1	C
11	171480013-0001	阻风门支架	Stay Comp., Choke	T370;	1	C
12	171650003-0001	阻风门拉杆	Rod, Throttle	T370;	1	B

化油器 (Carburetor With Pump)

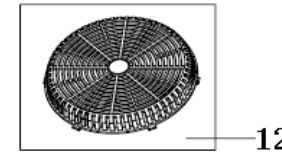
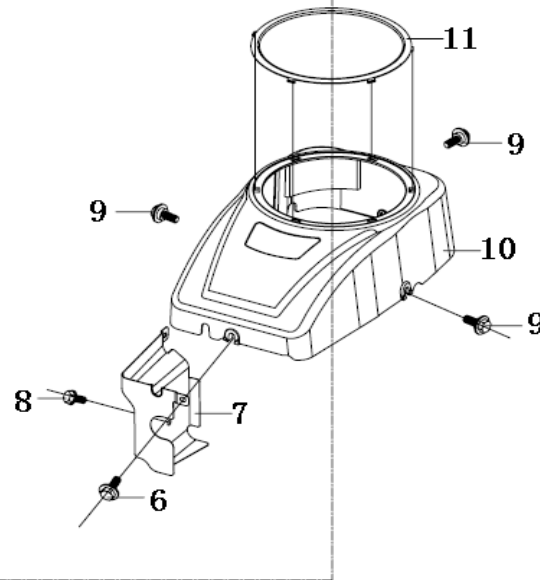
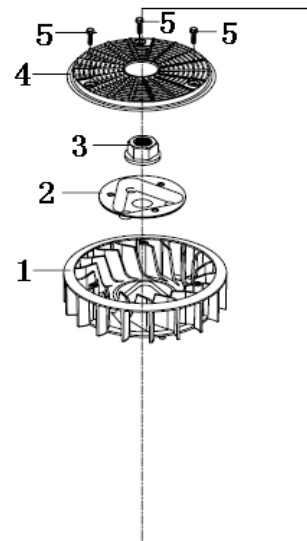
序号 No.	零部件件号 Part No.	零部件名称	Description	规格状态	数量 Reqd. QTY	易损属性 CONSUMABLE GRADE
1	170021008-0001	化油器	Carburetor Assy	T381_CARB状态_不带电磁阀, 防篡改; 铜镀镍球阀	1	B
2	170430173-0001	化油器密封垫	Packing, Carburetor	T440_氟橡胶_空滤器垫; 红色	1	B
3	170430099-0001	化油器密封垫	Packing, Carburetor	T370_interface(N-8092)材料_化油器与空气导流罩;	2	A
4	160190049-0001	气缸头导流罩	Shroud Comp	T381_1#;	1	C
5	170440053-0001	化油器隔热垫	Insulator, Carburetor	T370;	1	B
6	170430101-0001	化油器密封垫	Packing, Carburetor	T370_interface(N-8092)材料_进气管密封垫;	1	A
7	380140067-0003	六角头法兰面螺栓	Bol t, Flange	GB/T 5789_M6_L=12; 镀蓝白锌Q16	1	C
8	380950193-0001	管夹	Tube	T370_Φ11_油管卡圈;	5	A
9	170010018-0001	燃油滤清器	Strainer, Fuel	T370;	1	A
10	380750435-0001	油管	Oil Pipeline	T370_内径6.35_外径12.7_长105_CARB状态; 加EPA证;	1	A
11	380140013-0005	六角头法兰面螺栓	Bol t, Flange	GB/T 5789_M6_L=16; 镀蓝白锌Q16	2	C
12	170460010-0001	汽油泵	PUMP, GASOLINE	T381;	1	B
13	380750188-0001	油管	Oil Pipeline	T370_内径6.5_外径11_长380_汽油泵通气管;	1	A
14	380950197-0001	管夹	Tube	T370_通气管;	1	C
15	380750425-0001	油管	Oil Pipeline	T320_内径6.35_外径12.7_长285_防渗透_CARB状态;	1	A
16	380140077-0005	六角头法兰面螺栓	Bol t, Flange	GB/T 5789_M6_L=20; 镀蓝白锌Q16	2	C

17	170470005-0001	汽油泵支架	BRACKET,PUMP	T370_带加强筋;	1	C
空滤器 (Air Cleaner)						
序号 No.	零部件号 Part No.	零部件名称	Description	规格状态	数量 Reqd. QTY	易损属性 CONSUMABLE GRADE
1	180130188-0001	空滤器滤芯	ELEMENT ASSY., AIR CLEANER	T381_滤芯体;	1	A
2	180130187-0001	空滤器滤芯	ELEMENT ASSY., AIR CLEANER	T381_粗滤海绵;	1	A
3	181950006-0001	螺纹手柄	Handle,Air Cleaner Bolt	T381;	2	B
4	180020633-0001	空滤器	Air Cleaner Assy	T381_新增进气口密封线;	1	B
5	380140100-0003	六角头法兰面螺栓	Bolt, Flange M6×35	GB/T 5789_M6_L=35; 镀蓝白锌Q16	1	C
6	380370066-0001	六角头法兰面螺母	Nut M6	GB/T 6177.1_不带防滑齿_M6; 镀蓝白锌Q16	2	C
配气机构 (Valve)						
序号 No.	零部件号 Part No.	零部件名称	Description	规格状态	数量 Reqd. QTY	易损属性 CONSUMABLE GRADE
1	500550039-0001	气门套件	Valve Kit	T381;	1	B
2	140360010-0001	气门内弹簧座圈	Seat, Valve Spring	T110: 含Hg/Cr6/Pb/PBB/PBDE≤1000ppm, Cd≤100ppm	1	B
3	140400012-0001	挡油罩	Seal, Valve Stem	T110: 含Hg/Cr6/Pb/PBB/PBDE≤1000ppm, Cd≤100ppm	2	B
4	140340025-0001	气门内弹簧	Spring, Valve	T110_调软状态; 含Hg/Cr6/Pb/PBB/PBDE≤1000ppm, Cd	2	B
5	140380021-0001	气门弹簧座	Retainer, Ex. Valve Spring	T110_锁夹状态(通机)_排气门用; 含Hg/Cr6/Pb/PBB/P	2	B
6	140390015-0001	气门锁夹	Valve Keeper	T110: 含Hg/Cr6/Pb/PBB/PBDE≤1000ppm, Cd≤100ppm	2	B
7	140450041-0001	气门摇臂组合	ARM ASSY.	T381;	4	B
8	140710011-0001	推杆限位板组合	Plate, Assy	T381;	2	B
9	140670030-0001	挺杆组合	Rod Push	T370_整体式;	2	B
10	140690004-0001	挺柱	Lifter, Valve	T110: 含Hg/Cr6/Pb/PBB/PBDE≤1000ppm, Cd≤100ppm	2	B
11	140020055-0001	凸轮轴组合	Camshaft	T370;	2	B
曲柄连杆 (Crankshaft)						
序号 No.	零部件号 Part No.	零部件名称	Description	规格状态	数量 Reqd. QTY	易损属性 CONSUMABLE GRADE
1	130070103-0001	活塞环组合	Ring Set	T380;	1	A
2	380560057-0001	钢丝挡圈	Clip, Piston Pin	T110_活塞销挡圈;	2	B
3	130030192-0001	活塞	Piston	T381_平顶;	1	A
4	130060034-0001	活塞销	Pin, Piston	T110_φ20×62; 含Hg/Cr6/Pb/PBB/PBDE≤1000ppm, Cd	1	2
5	130150048-0001	连杆	Rod Assy., Connecting	T370;	1	B
6	130180009-0001	连杆螺栓	Bolt, Connecting Rod	T370;	2	C
7	130290102-0001	曲轴部件	Crankshaft Comp	T370_A轴;	1	B
8	130450034-0001	平衡轴	Weight, Balancer	T370_B, 齿加厚;	1	B
9	380450560-0001	平垫圈17.2×30×1.5	Washer	T370_内径17_外径30_厚度1.5; 氧化007	2	C
10	130450033-0001	平衡轴	Weight, Balancer	T370_A, 齿加厚;	1	B
曲轴箱盖 (Crankshaft Cover)						
序号 No.	零部件号 Part No.	零部件名称	Description	规格状态	数量 Reqd. QTY	易损属性 CONSUMABLE GRADE
1	380140013-0005	六角头法兰面螺栓	Bolt, Flange M6×16	GB/T 5789_M6_L=16; 镀蓝白锌Q16	3	C
2	150040019-0001	油泵盖	Oil Pump Cover	T370;	1	C
3	380840467-0001	密封圈	Seal Ring, Oil Pump	T370_机油泵密封圈_丙烯酸酯CII;	1	A
4	150010073-0001	机油泵部件	Pump, Oil	T381;	1	B
5	380650337-0001	油封 φ35×φ52×7	Oil Seal, φ35×φ52×7	T110_d=35_D=52_b=7; 含Hg/Cr6/Pb/PBB/PBDE≤1000	1	B
6	380140447-0001	六角头法兰面螺栓	Bolt, Flange M8×40	T370_M8_L=40_S=12; 镀蓝白锌Q16	10	C
7	380600123-0001	定位销 φ10×12	Pin, Dowel φ10×12	T370_d=10_L=12;	2	C
8	150570003-0001	机油回油块	Rubber, oil deflector	T370_丙烯酸酯;	1	B
10	171750004-0001	调速齿轮部件	Governor Assy	T110;	1	B
11	150290022-0001	机油滤网	Oil Strainer	T370_弧形;	1	A
12	120530002-0001	油道压板	Oil Baffle Plate	T370;	1	C
13	150340013-0001	机油滤网盖	Cover, Oil Strainer	T381_取消冲孔;	1	B
14	380140103-0004	六角头法兰面螺栓	Bolt, Flange F6×25	GB/T 5789_M6_L=25; 镀蓝白锌Q16	1	C
曲轴箱盖 (Crankshaft Cover)						
序号 No.	零部件号 Part No.	零部件名称	Description	规格状态	数量 Reqd. QTY	易损属性 CONSUMABLE GRADE
15	110820104-0001	曲轴箱盖	Cover, Breather Side	T381_不带机油滤清器_平衡轴安装孔加油孔;	1	B
16	110260026-0001	密封螺塞	Drain Bolt 3/8-18 Nptf	T370_3/8-18NPTF; 氧化007	1	C
17	110690048-0001	机油尺部件	Cap Assy	T381_机油尺_带密封圈, 带汽油泵;	1	B
18	380140100-0003	六角头法兰面螺栓	Bolt, Flange M6×35	GB/T 5789_M6_L=35; 镀蓝白锌Q16	1	C
19	380630141-0002	深沟球轴承6207	Eddp Groove Ball Bearing	GB/T 276_6207;	1	B
曲轴箱 (Crank Case Comp)						
序号 No.	零部件号 Part No.	零部件名称	Description	规格状态	数量 Reqd. QTY	易损属性 CONSUMABLE GRADE
1	380740462-0001	通气管	Tube, Breather	T370_异型_丁腈橡胶_废气管;	1	A
2	381350004-0001	销夹	Pin, Lock	T040_调速臂用;	1	B
3	380650339-0001	油封 φ8×φ14×4	Oil Seal	T110_d=8_D=14_b=4; 含Hg/Cr6/Pb/PBB/PBDE≤1000p	1	B
4	380450559-0001	平垫圈 8×16×0.5	Washer	T370_内径8_外径16_厚度0.5; 镀蓝白锌Q16	1	C
5	171630020-0001	调速臂	Shaft, Governor Arm	T381;	1	B
6	110830037-0001	曲轴箱盖密封垫	Packing, Case Cover	T381_interface(N-8092);	1	A
7	380630141-0002	深沟球轴承6207	Eddp Groove Ball Bearing	GB/T 276_6207;	1	B
8	380840443-0001	密封圈 12×2.5	O-Ring 12×2.5	T370_D=11.7_d=2.5_丙烯酸酯;	1	A
9	140250006-0001	簧片阀	Reed Valve	T370_压板加厚;	1	B
10	380140067-0003	六角头法兰面螺栓	Bolt, Flange M6×12	GB/T 5789_M6_L=12; 镀蓝白锌Q16	3	C
11	110850004-0001	呼吸槽密封垫	Packing, Breather Chamber	T370_无石棉软木橡胶板;	1	A
12	110840005-0001	呼吸槽盖板	Cap, Breather Chamber	T370_A; 镀蓝白锌 Q16	1	C
13	380630026-0001	深沟球轴承16003	Eddp Groove Ball Bearing	GB/T 276_16003;	2	B
14	380650337-0001	油封 φ35×φ52×7	Oil Seal, φ35×φ52×7	T110_d=35_D=52_b=7; 含Hg/Cr6/Pb/PBB/PBDE≤1000	1	A
曲轴箱 (Crank Case Comp)						
序号 No.	零部件号 Part No.	零部件名称	Description	规格状态	数量 Reqd. QTY	易损属性 CONSUMABLE GRADE
15	380140209-0001	六角头法兰面螺栓	Bolt, Flange M6×14	GB/T 5789_M6_L=14; 镀蓝白锌Q16	1	C
16	110480024-0001	压线板	Valve, Breather Chamber	T381; 镀蓝白锌Q16	1	C
17	110810167-0001	曲轴箱体	Crank Case Comp	T381_机油尺安装孔处增加两根加强筋;	1	B



气缸头 (Gear Box Assy)

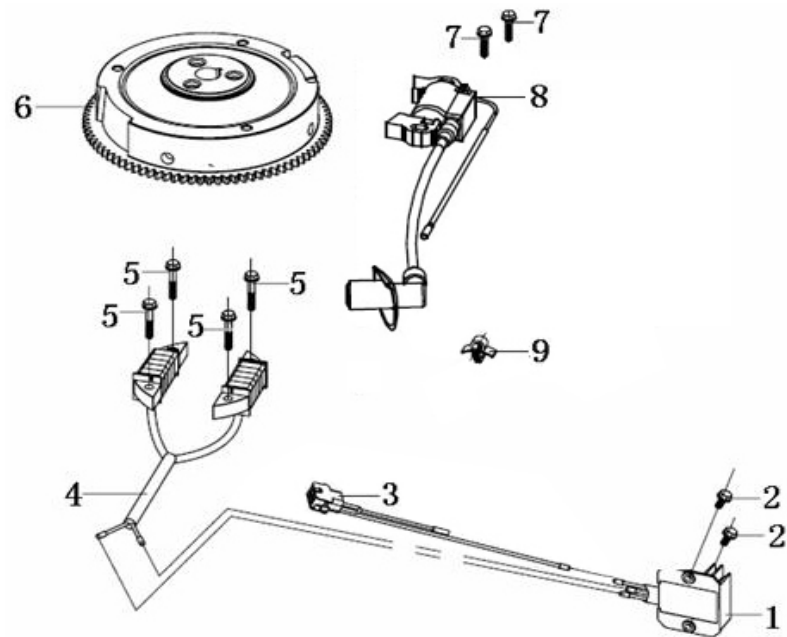
序号	零部件件号	零部件名称	Description	规格状态	数量	易损属性
No.	Part No.				Reqd. QTY	CONSUMABLE GRADE
1	380600116-0001	定位销	Pin, Dowel	T110_d=12_L=20;	2	C
2	120150146-0001	气缸头密封垫	Gasket, Cylinder	T380_石墨;	1	A
3	380180088-0001	双头螺栓	Bol t, Stud	T370_M6/8_L=138; 镀蓝白锌Q16	2	C
4	120080436-0001	气缸头	Head Comp. ,Cylinder	T381;	1	B
5	270960028-0001	火花塞	Spark Plug	RC12YC;	1	A
6	380140335-0001	六角头法兰面螺栓	Bol t, Cylinder Head	T370_M10×1.25_L=85; 镀蓝白锌Q16	4	C
7	120250028-0001	气缸头盖密封垫	Packi ng, Head Cover	T381_软木橡胶板;	1	A
8	120220032-0001	气缸头盖组合	Cover Comp. , Head, Left	T381;	1	C
9	380020070-0001	六角头轴肩螺栓	Bol t, Hexagonal 6×16.5-8×3.	T370_M6×16.5(Φ8×3.5); 镀蓝白锌Q16	4	C
10	180650074-0001	排气口密封垫	Gasket, Ex. Pipe	T370_石墨;	1	C



零件12可以代替零件4和11，客户可以根据需求选择。

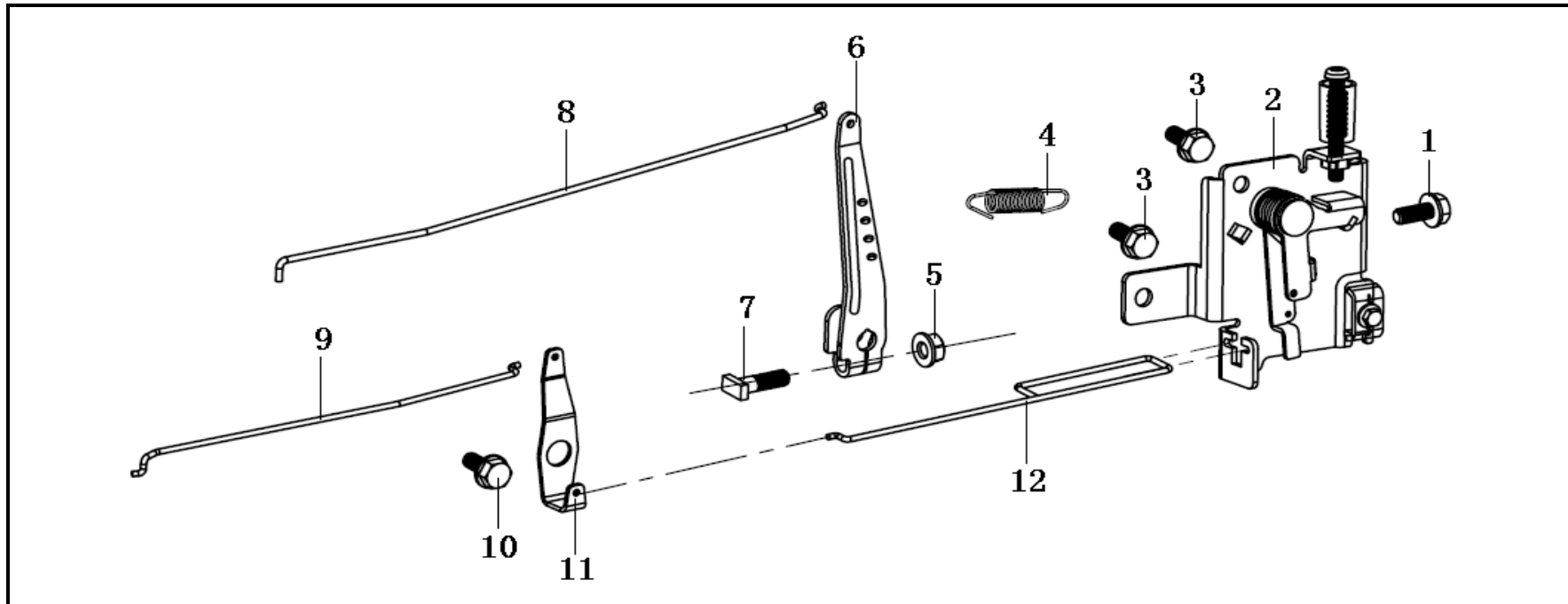
导风部件 (Blower Housing)

序号	零部件件号	零部件名称	Description	规格状态	数量	易损属性
No.	Part No.				Reqd. QTY	CONSUMABLE GRADE
1	160180024-0001	叶轮	Fan, Cooling	T381;	1	B
2	193590013-0001	起动盘	Pulley, Starter	T370; 镀蓝白锌Q16	1	C
3	380370050-0001	六角法兰面螺母	Nut, Special	T110_M16×1.5; 镀蓝白锌Q16	1	C
6	380020087-0001	六角头轴肩螺栓	Bol t, Hexagonal	T390_M6×21.8(Φ8×10.8); 镀蓝白锌Q16	1	C
7	160190050-0001	空气导流罩	Shroud Comp	T381_2#;	1	B
8	380140067-0003	六角头法兰面螺栓	Bol t, Flange, M6×12	GB/T 5789_M6_L=12; 镀蓝白锌Q16	1	C
9	380020070-0001	六角头轴肩螺栓	Bol t, Hexagonal	T370_M6×16.5(Φ8×3.5); 镀蓝白锌Q16	3	C
10	160210046-0001	风扇罩部件	Cover Comp., Fan	T381;	1	B
12	195360009-0003	起动器外罩	Case, Starter Outer	T381; 黑坯	1	B



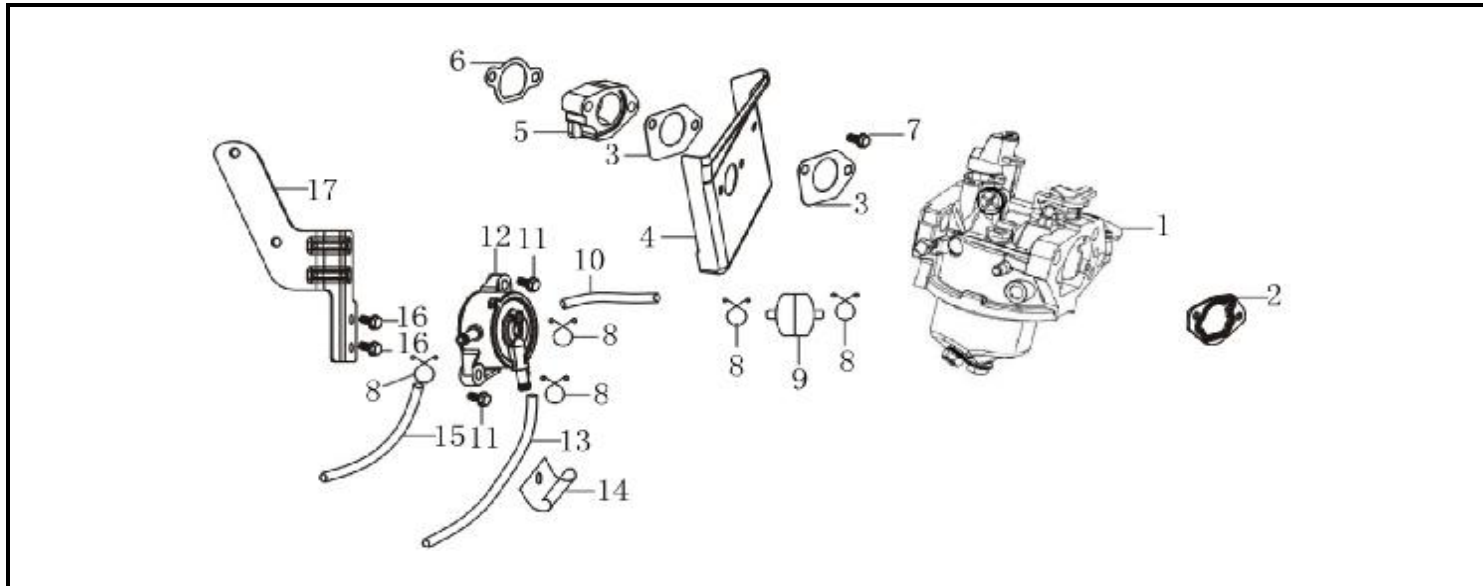
点火系统 (Flywheel)

序号	零部件件号	零部件名称	Description	规格状态	数量	易损属性
No.	Part No.				Reqd. QTY	CONSUMABLE GRADE
1	270880145-0001	调压整流器	Rectifier	T381;	1	A
2	380140067-0003	六角头法兰面螺栓	Bolt, Flange, M6×12	GB/T 5789_M6_L=12; 镀蓝白锌Q16	2	C
3	271280021-0001	连接线	Output Wire, Rectifier	T381_整流器输出线;	1	A
4	270190012-0001	充电线圈部件	Coil Assy, Charge	T381;	1	A
5	380140054-0003	六角法兰面螺栓	Bolt, Flange M6×30	GB/T 5789_M6_L=30; 镀蓝白锌Q16	4	C
6	270020229-0001	磁电机转子部件	Flywheel Comp	T370_取消磁钢护板;	1	B
7	380140103-0004	六角头法兰面螺栓	Bolt, Flange M6×25	GB/T 5789_M6_L=25; 镀蓝白锌Q16	2	C
8	270920251-0001	点火线圈	Coil Assy, Ignition	T370_抗干扰, 带金属屏蔽帽;	1	B
9	380930027-0001	定位线卡	location cable clip	T560_燕尾卡;	1	B



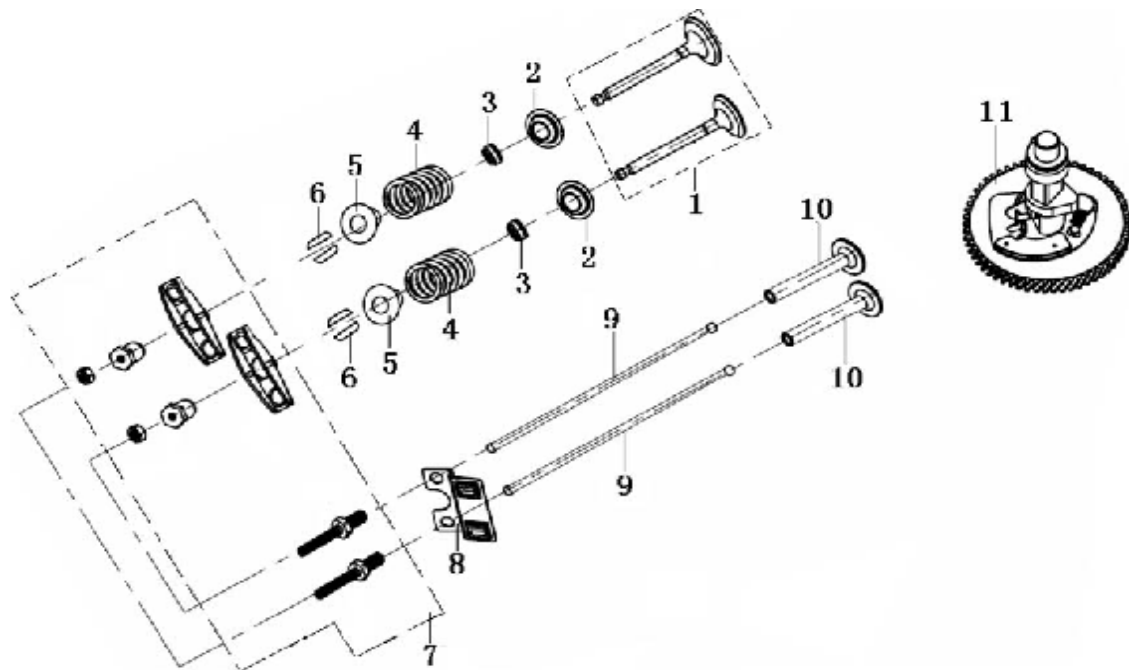
调速控制系统 (Governor)

序号	零部件件号	零部件名称	Description	规格状态	数量	易损属性
No.	Part No.				Reqd. QTY	CONSUMABLE GRADE
1	380140013-0005	六角头法兰面螺栓	Bol t M6×16	GB/T 5789_M6_L=16; 镀蓝白锌Q16	1	C
2	171680036-0001	油门操纵手柄组合	Contorl assy	T370; 镀蓝白锌 Q16	1	B
3	380140209-0001	六角头法兰面螺栓	Bol t, Flange M6×14	GB/T 5789_M6_L=14; 镀蓝白锌Q16	2	C
4	171600020-0001	调速弹簧	Spri ng, Governor	T370;	1	A
5	380370066-0001	六角法兰面螺母 M6	Nut, Flange M6	GB/T 6177.1_不带防滑齿_M6; 镀蓝白锌Q16	1	C
6	171620013-0003	调速支架	Arm, Governor	T370; 带方头平端紧固螺钉/六角法兰面螺母_不带防	1	C
7	380250002-0001	方头平端紧固螺栓	Bol t, Governor Arm	T040_M6_L=21(13mm); 调速支架固定	1	C
8	171590013-0001	油门拉杆	Rod, Governor	T370;	1	B
9	171490002-0001	阻风门杆	Rod, Choke	T370;	1	B
10	380020071-0001	六角头轴肩螺栓	Bol t, Hexagonal	T370_M6×15(Φ10×1.8); 镀蓝白锌Q16	1	C
11	171480013-0001	阻风门支架	Stay Comp. , Choke	T370;	1	C
12	171650003-0001	阻风门拉杆	Rod, Thrott le	T370;	1	B



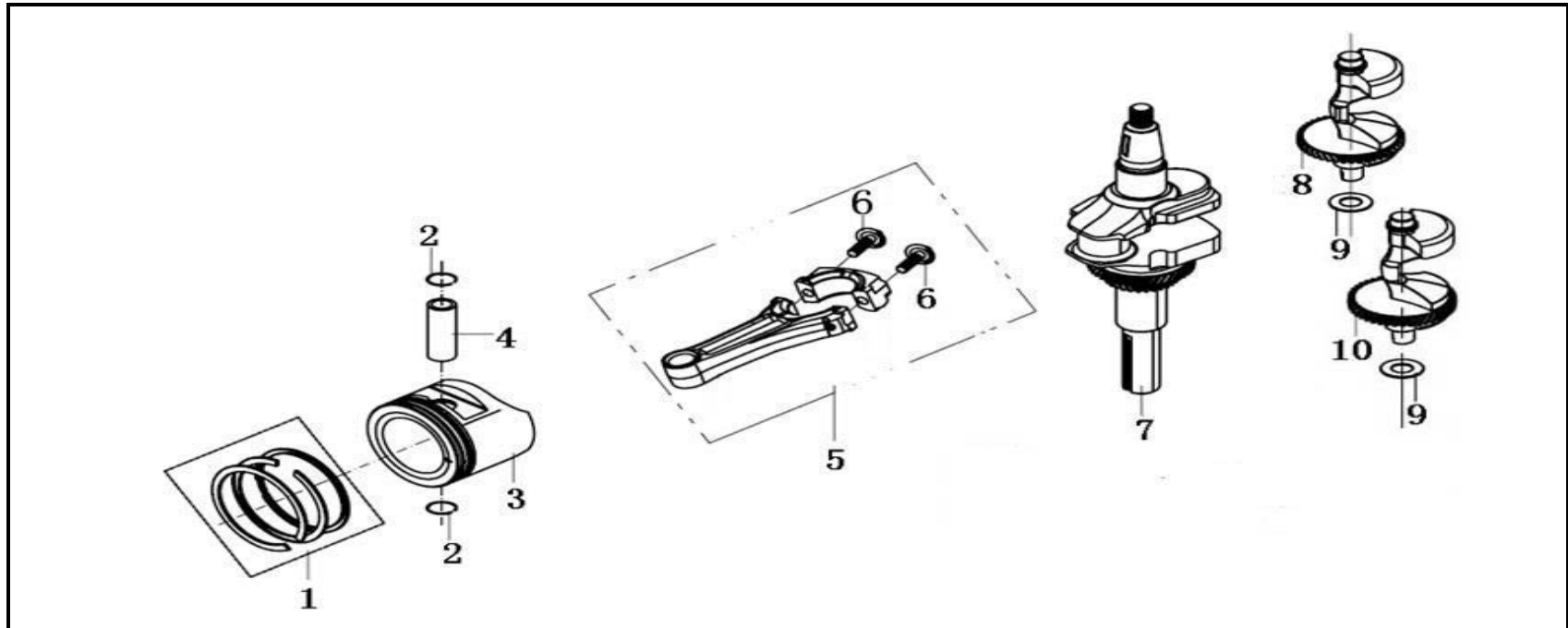
化油器 (Carburetor With Pump)

序号	零部件件号	零部件名称	Description	规格状态	数量	易损属性
No.	Part No.				Reqd. QTY	CONSUMABLE GRADE
1	170021008-0001	化油器	Carburetor Assy	T381_CARB状态_不带电磁阀, 防篡改; 铜镀镍针阀	1	B
2	170430173-0001	化油器密封垫	Packi ng, Carburetor	T440_氟橡胶_空滤器垫; 红色	1	B
3	170430099-0001	化油器密封垫	Packi ng, Carburetor	T370_i nterface(N-8092)材料_化油器与空气导流罩之间	2	A
4	160190049-0001	气缸头导流罩	Shroud Comp	T381_1#;	1	C
5	170440053-0001	化油器隔热垫	Insul ati r, Carburetor	T370;	1	B
6	170430101-0001	化油器密封垫	Packi ng, Carburetor	T370_i nterface(N-8092)材料_进气管密封垫;	1	A
7	380140067-0003	六角头法兰面螺栓	Bol t, Fl ange	GB/T 5789_M6_L=12; 镀蓝白锌Q16	1	C
8	380950193-0001	管夹	Tube	T370_Φ11_油管卡圈;	5	A
9	170010018-0001	燃油滤清器	Strai ner, Fuel	T370;	1	A
10	380750435-0001	油管	Oil Pi pel i ne	T370_内径6.35_外径12.7_长105_CARB状态; 加EPA证书号	1	A
11	380140013-0005	六角头法兰面螺栓	Bol t, Fl ange	GB/T 5789_M6_L=16; 镀蓝白锌Q16	2	C
12	170460010-0001	汽油泵	PUMP, GASOLINE	T381;	1	B
13	380750188-0001	油管	Oil Pi pel i ne	T370_内径6.5_外径11_长380_汽油泵通气管;	1	A
14	380950197-0001	管夹	Tube	T370_通气管;	1	C
15	380750425-0001	油管	Oil Pi pel i ne	T320_内径6.35_外径12.7_长285_防渗透 CARB状态; 加E	1	A
16	380140077-0005	六角头法兰面螺栓	Bol t, Fl ange	GB/T 5789_M6_L=20; 镀蓝白锌Q16	2	C
17	170470005-0001	汽油泵支架	BRACKET, PUMP	T370_带加强筋;	1	C



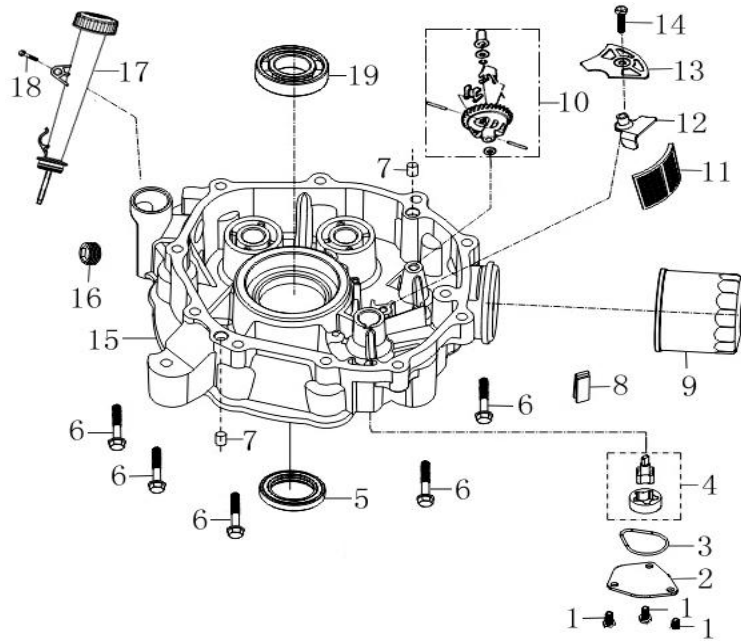
配气机构 (Valve)

序号	零部件件号	零部件名称	Description	规格状态	数量	易损属性
No.	Part No.				Reqd. QTY	CONSUMABLE GRADE
1	500550039-0001	气门套件	Valve Kit	T381;	1	B
2	140360010-0001	气门内弹簧座圈	Seat, Valve Spring	T110; 含Hg/Cr6/Pb/PBB/PBDE≤1000ppm, Cd≤100ppm	1	B
3	140400012-0001	挡油罩	Seal, Valve Stem	T110; 含Hg/Cr6/Pb/PBB/PBDE≤1000ppm, Cd≤100ppm	2	B
4	140340025-0001	气门内弹簧	Spring, Valve	T11D_调软状态; 含Hg/Cr6/Pb/PBB/PBDE≤1000ppm, Cd≤100ppm	2	B
5	140380021-0001	气门弹簧座	Retainer, Ex. Valve	T11D_锁夹状态(通机)_排气门用; 含Hg/Cr6/Pb/PBB/PBDE≤1000ppm, Cd≤100ppm	2	B
6	140390015-0001	气门锁夹	Valve Keeper	T11D; 含Hg/Cr6/Pb/PBB/PBDE≤1000ppm, Cd≤100ppm	2	B
7	140450041-0001	气门摇臂组合	ARM ASSY.	T381;	4	B
8	140710011-0001	推杆限位板组合	Plate, Assy	T381;	2	B
9	140670030-0001	挺杆组合	Rod Push	T370_整体式;	2	B
10	140690004-0001	挺柱	Lifter, Valve	T110; 含Hg/Cr6/Pb/PBB/PBDE≤1000ppm, Cd≤100ppm	2	B
11	140020055-0001	凸轮轴组合	Camshaft	T370;	2	B



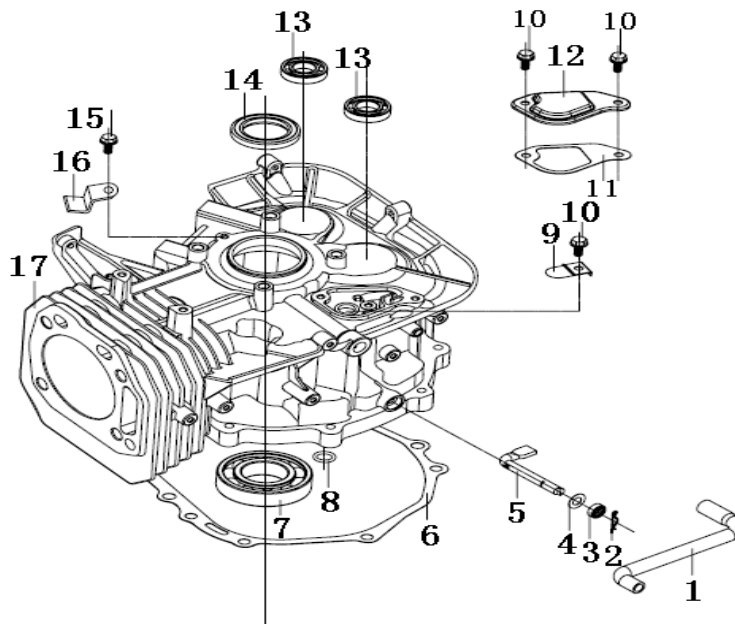
曲柄连杆 (Crankshaft)

序号	零部件件号	零部件名称	Description	规格状态	数量	易损属性
No.	Part No.				Reqd. QTY	CONSUMABLE GRADE
1	130070103-0001	活塞环组合	Ring Set	T380;	1	A
2	380560057-0001	钢丝挡圈	Clip, Piston Pin	T110_活塞销挡圈;	2	B
3	130030192-0001	活塞	Piston	T381_平顶;	1	A
4	130060034-0001	活塞销	Pin, Piston	T110_ $\phi 20 \times 62$; 含Hg/Cr6/Pb/PBB/PBDE ≤ 1000 ppm, Cd \leq	1	2
5	130150048-0001	连杆	Rod Assy. , Connecting	T370;	1	B
6	130180009-0001	连杆螺栓	Bol t, Connecting Rod	T370;	2	C
7	130290102-0001	曲轴部件	Crankshaft Comp	T370_A轴;	1	B
8	130450034-0001	平衡轴	Weight, Bal ancer	T370_B, 齿加厚;	1	B
9	380450560-0001	平垫圈17.2×30×1.5	Washer	T370_内径17_外径30_厚度1.5; 氧化007	2	C
10	130450033-0001	平衡轴	Weight, Bal ancer	T370_A, 齿加厚;	1	B



曲轴箱盖 (Crankshaft Cover)

序号	零部件件号	零部件名称	Description	规格状态	数量	易损属性
No.	Part No.				Reqd. QTY	CONSUMABLE GRADE
1	380140013-0005	六角头法兰面螺栓	Bolt, Flange M6×16	GB/T 5789_M6_L=16; 镀蓝白锌Q16	3	C
2	150040019-0001	油泵盖	Oil Pump Cover	T370;	1	C
3	380840467-0001	密封圈	Seal Ring, Oil Pump	T370_机油泵密封圈_丙烯酸酯C11;	1	A
4	150010073-0001	机油泵部件	Pump, Oil	T381;	1	B
5	380650337-0001	油封 $\phi 35 \times \phi 52 \times 7$	Oil Seal, $\phi 35 \times \phi 52 \times 7$	T110_d=35_D=52_b=7; 含Hg/Cr6/Pb/PBB/PBDE ≤ 1	1	B
6	380140447-0001	六角头法兰面螺栓	Bolt, Flange M8×40	T370_M8_L=40_S=12; 镀蓝白锌Q16	10	C
7	380600123-0001	定位销 $\phi 10 \times 12$	Pin, Dowel $\phi 10 \times 12$	T370_d=10_L=12;	2	C
8	150570003-0001	机油回油块	Rubber, oil deflector	T370_丙烯酸酯;	1	B
10	171750004-0001	调速齿轮部件	Governor Assy	T110;	1	B
11	150290022-0001	机油滤网	Oil Strainer	T370_弧形;	1	A
12	120530002-0001	油道压板	Oil Baffle Plate	T370;	1	C
13	150340013-0001	机油滤网盖	Cover, Oil Strainer	T381_取消冲孔;	1	B
14	380140103-0004	六角头法兰面螺栓	Bolt, Flange F6×25	GB/T 5789_M6_L=25; 镀蓝白锌Q16	1	C



曲轴箱 (Crank Case Comp)

序号	零部件件号	零部件名称	Description	规格状态	数量	易损属性
No.	Part No.				Reqd. QTY	CONSUMABLE GRADE
1	380740462-0001	通气管	Tube, Breather	T370_异型_丁腈橡胶_废气管;	1	A
2	381350004-0001	销夹	Pin, Lock	T040_调速臂用;	1	B
3	380650339-0001	油封 $\phi 8 \times \phi 14 \times 4$	Oil Seal	T110_d=8_D=14_b=4; 含Hg/Cr6/Pb/PBB/PBDE ≤ 100	1	B
4	380450559-0001	平垫圈 $8 \times 16 \times 0.5$	Washer	T370_内径8_外径16_厚度0.5; 镀蓝白锌Q16	1	C
5	171630020-0001	调速臂	Shaft, Governor Arm	T381;	1	B
6	110830037-0001	曲轴箱盖密封垫	Packing, Case Cover	T381_interface(N-8092);	1	A
7	380630141-0002	深沟球轴承6207	Eddp Groove Ball Beaeing	GB/T 276_6207;	1	B
8	380840443-0001	密封圈 12×2.5	O-Ring 12×2.5	T370_D=11.7_d=2.5_丙稀酸脂;	1	A
9	140250006-0001	簧片阀	Reed Valve	T370_压板加厚;	1	B
10	380140067-0003	六角头法兰面螺栓	Bol t, Flange M6 \times 12	GB/T 5789_M6_L=12; 镀蓝白锌Q16	3	C
11	110850004-0001	呼吸槽密封垫	Packing, Breather Chamber	T370_无石棉软木橡胶板;	1	A
12	110840005-0001	呼吸槽盖板	Cap, Breather Chamber	T370_A; 镀蓝白锌 Q16	1	C
13	380630026-0001	深沟球轴承16003	Eddp Groove Ball Beaeing	GB/T 276_16003;	2	B
14	380650337-0001	油封 $\phi 35 \times \phi 52 \times 7$	Oil Seal , $\phi 35 \times \phi 52 \times 7$	T110_d=35_D=52_b=7; 含Hg/Cr6/Pb/PBB/PBDE ≤ 100	1	A

