

This catalog covers:
FS600V-□S02

This fig. covers:
TITLE

PARTS CATALOG

4-STROKE ENGINE

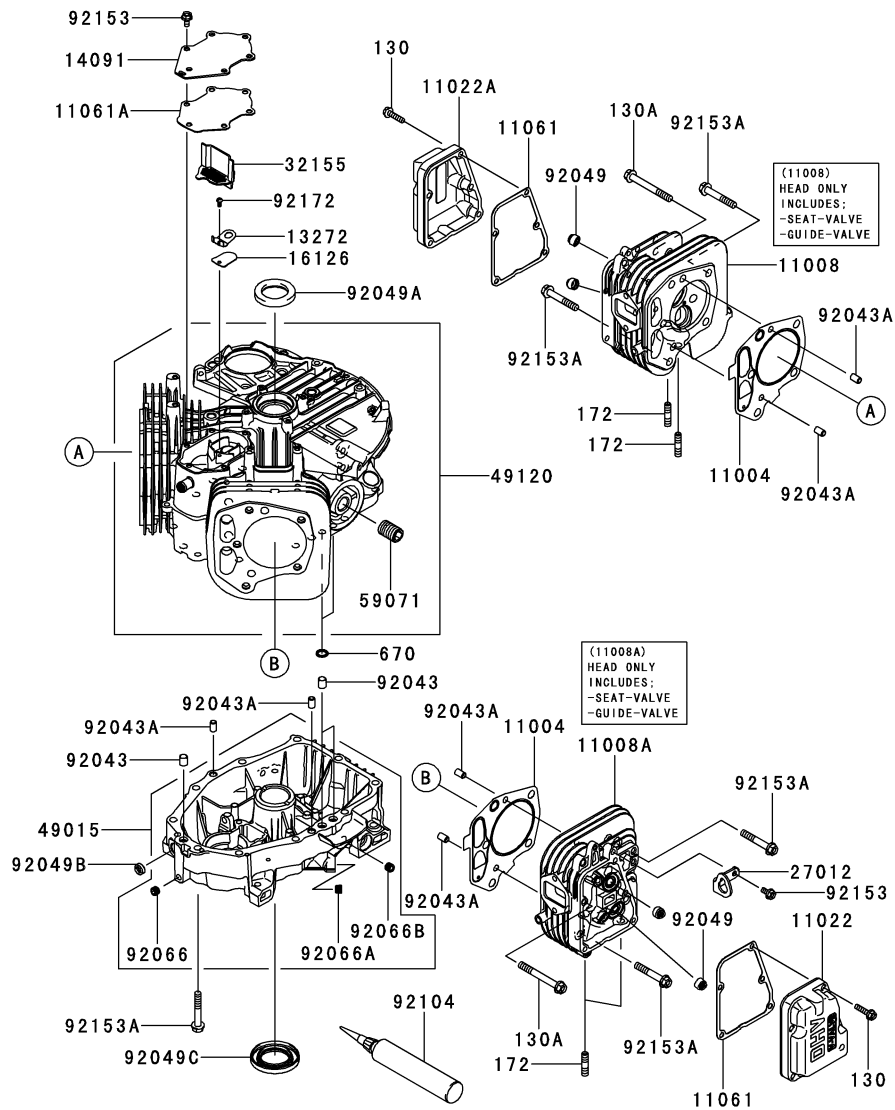
FS600V

PRODUCT CODE	NOTE
FS600V-AS02	STD

This catalog covers:
FS600V- □ S02

This fig. covers:
01 CYLINDER/CRANKCASE

E0110-A931B



Ref. No.	Part No.	Description	Quantity
			A
11004	11004-7027	GASKET-HEAD	2
11008	11008-7050	HEAD-COMP-CYLINDER,#1	1
11008A	11008-7051	HEAD-COMP-CYLINDER,#2	1
11022	11022-0038	CASE-ROCKER,#2	1
11022A	11022-0710	CASE-ROCKER,#1	1
11061	11061-7083	GASKET,CASE-ROCKER	2
11061A	11061-7094	GASKET,BREATHER	1
13272	13272-1374	PLATE	1
14091	14091-7064	COVER,BREATHER	1
16126	16126-7020	VALVE,BREATHER	1
27012	27012-0721	HOOK,LIFT	1
32155	32155-7003	PIPE,BREATHER	1
49015	49015-0019	COVER-CRANKCASE	1
49120	49120-0731	CRANKCASE-COMP	1
59071	59071-0733	JOINT	1
92043	92043-0858	PIN	3
92043A	92043-1263	PIN,6.2X8X14	6
92049	92049-7001	SEAL-OIL,RVC2 6X11X10.2	4
92049A	92049-7010	SEAL-OIL,SD 35X48X8 R HS	1
92049B	92049-7019	SEAL-OIL,SO 8X14X5 HS	1
92049C	92049-7028	SEAL-OIL,38X62X8MTCLV	1
92066	92066-0761	PLUG	1
92066A	92066-0762	PLUG	1
92066B	92066-2223	PLUG	1
92104	92104-0007	GASKET-LIQUID,TB1217H	AR
92153	92153-7043	BOLT,6X12	7
92153A	92153-7054	BOLT,8X50	14
92172	92172-0870	SCREW,4X8	1
130	130BA0625	BOLT-FLANGED,6X25	10
130A	130CA0870	BOLT-FLANGED,8X70	6
172	172BA0822	BOLT-STUD,8X22	4
670	670B2011	O RING,11MM	2

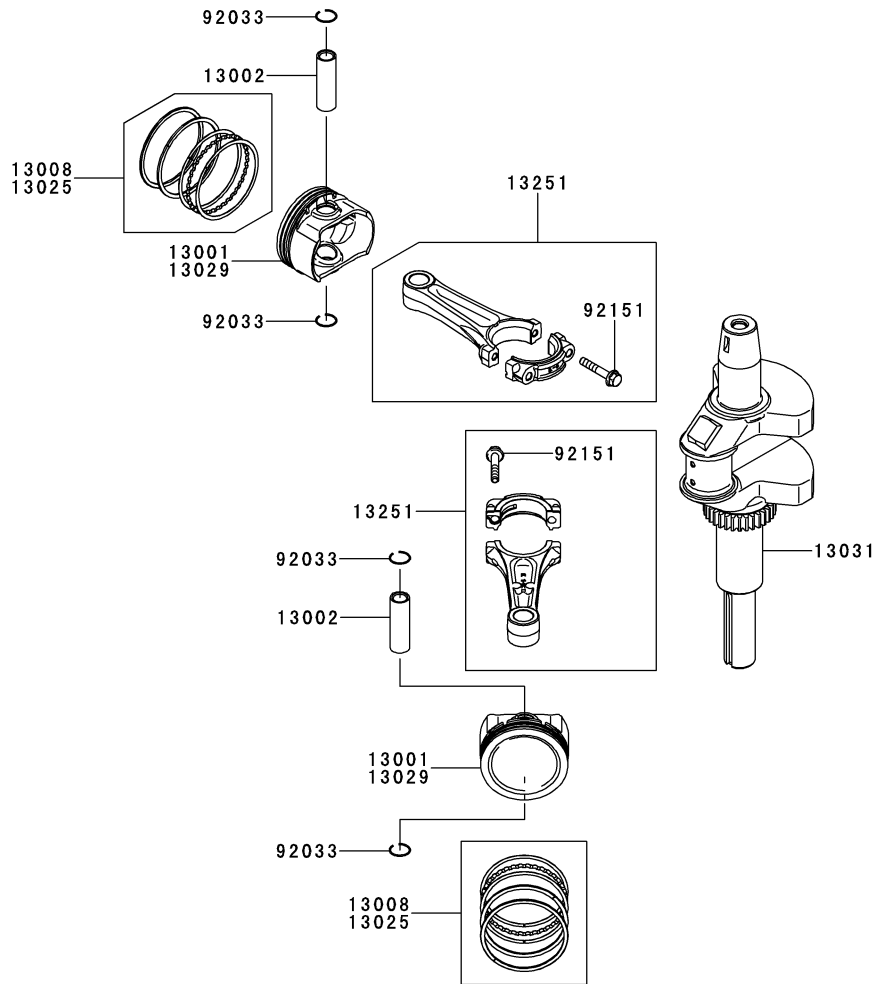
This catalog covers:

FS600V- □ S02

This fig. covers:

02 PISTON/CRANKSHAFT

E0120-A530B



Ref. No.	Part No.	Description	Quantity
13001	13001-7031	PISTON-ENGINE	2
13002	13002-7001	PIN-PISTON	2
13008	13008-7006	RING-SET-PISTON	2
13025	13025-7010	RING-SET-PISTON L,0.50	AR
13029	13029-7011	PISTON-ENGINE L,0.50	AR
13031	13031-0814	CRANKSHAFT-COMP	1
13251	13251-7021	ROD-ASSY-CONNECTING	2
92033	92033-0725	RING-SNAP	4
92151	92151-7017	BOLT,6X35	4

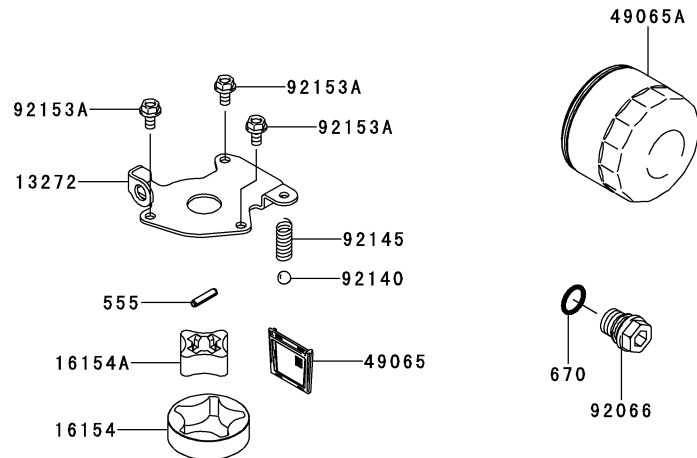
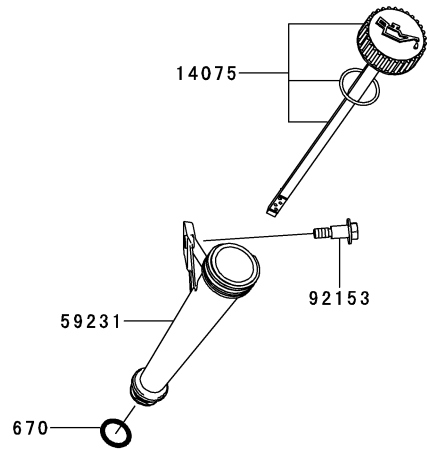
This catalog covers:

FS600V- □ S02

This fig. covers:

04 LUBRICATION-EQUIPMENT

E0140-A506A



Ref. No.	Part No.	Description	Quantity
13272	13272-7011	PLATE,ROTOR	1
14075	14075-0037	CAP-ASSY	1
16154	16154-7010	ROTOR-PUMP,OUTER	1
16154A	16154-7011	ROTOR-PUMP,INNER	1
49065	49065-7006	FILTER-OIL	1
49065A	49065-7007	FILTER-OIL	1
59231	59231-0712	FILLER	1
92066	92066-0774	PLUG	1
92140	92140-7003	BALL,STEEL,13/32	1
92145	92145-1658	SPRING	1
92153	92153-7008	BOLT	1
92153A	92153-7043	BOLT,6X12	3
555	555A0420	PIN-SPRING,4X20	1
670	670D2016	O RING,16MM	2

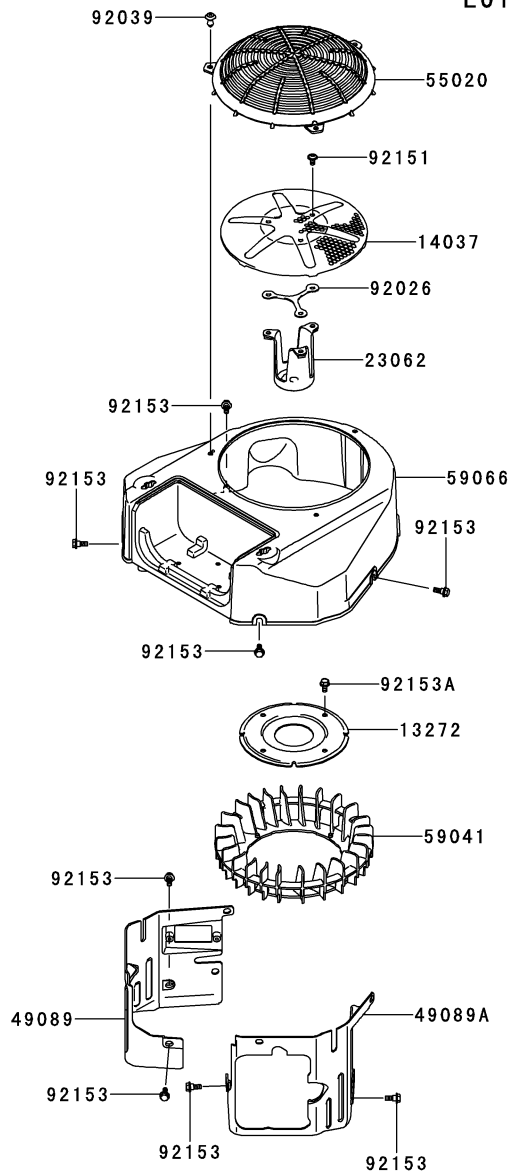
This catalog covers:

FS600V- □ S02

This fig. covers:

05 COOLING-EQUIPMENT

E0150-B313A



Ref. No.	Part No.	Description	Quantity
13272	13272-1487	PLATE,FAN	1
14037	14037-7008-9H	SCREEN	1
23062	23062-7022	BRACKET-COMP	1
49089	49089-7083	SHROUD-ENGINE	1
49089A	49089-7084	SHROUD-ENGINE	1
55020	55020-0900	GUARD	1
59041	59041-0008	FAN	1
59066	59066-0044	HOUSING-FAN	1
92026	92026-7007	SPACER	1
92039	92039-0751	RIVET, GUARD	3
92151	92151-7012	BOLT, 6X12	3
92153	92153-7007	BOLT, FLANGED, 6X16	8
92153A	92153-7043	BOLT, 6X12	4

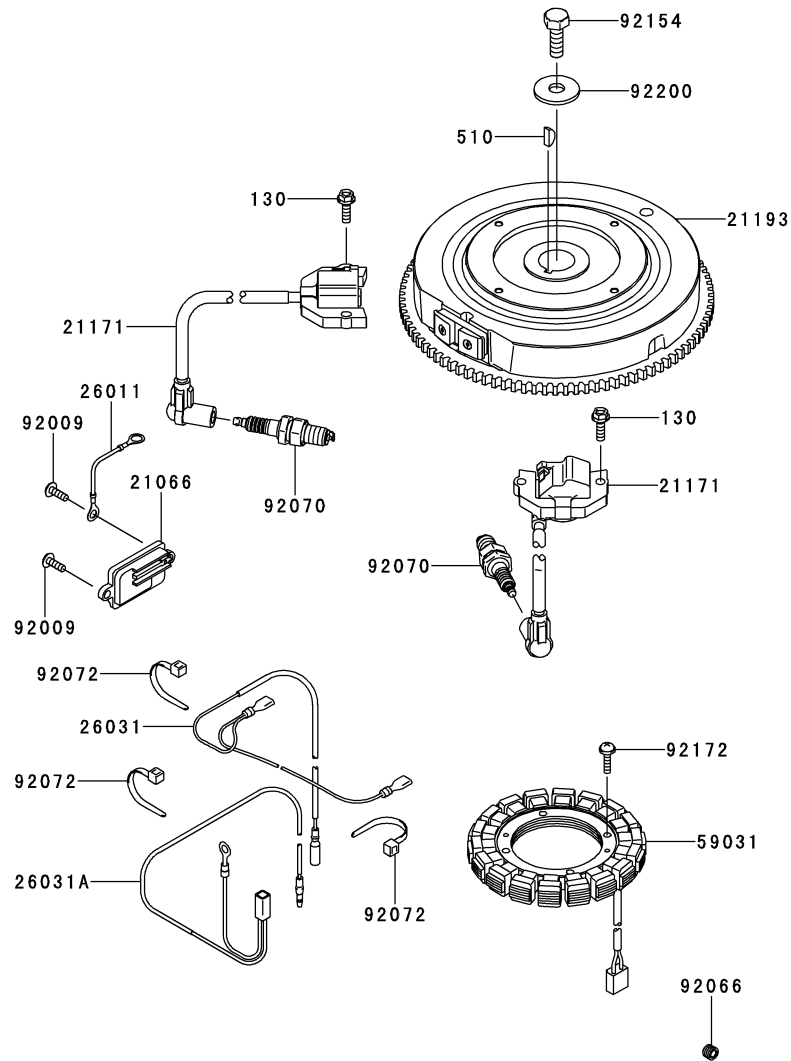
This catalog covers:

FS600V- □ S02

This fig. covers:

06 ELECTRIC-EQUIPMENT

E0160-B531C



Ref. No.	Part No.	Description	Quantity
21066	21066-7017	REGULATOR-VOLTAGE	1
21171	21171-0740	COIL-ASSY-IGNITION	2
21193	21193-0035	FLYWHEEL-ASSY	1
26011	26011-7025	WIRE-LEAD,L=95	1
26031	26031-7040	HARNESS	1
26031A	26031-7047	HARNESS	1
59031	59031-7017	COIL-CHARGING	1
92009	92009-2303	SCREW	2
92066	92066-0762	PLUG	1
92070	92070-7004	PLUG-SPARK,BPR4ES(NGK),SOLID	2
92072	92072-7003	BAND	3
92154	92154-7003	BOLT,12X30	1
92172	92172-7018	SCREW,5X20	4
92200	92200-7002	WASHER	1
130	130AA0620	BOLT-FLANGED,6X20	4
510	510A5100	KEY-WOODRUFF	1

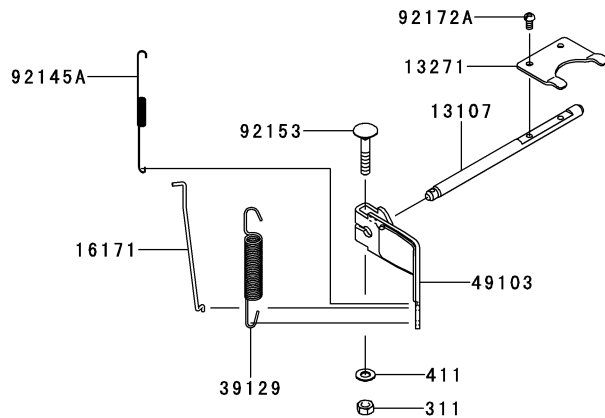
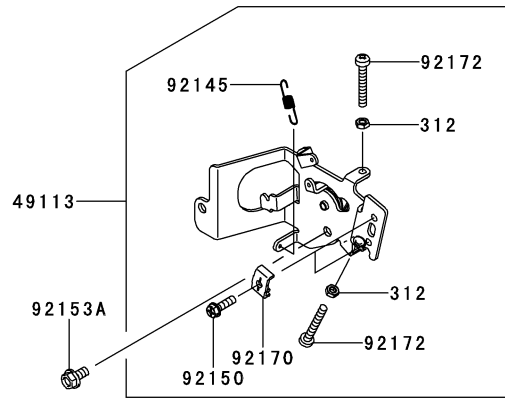
This catalog covers:

FS600V- □ S02

This fig. covers:

07 CONTROL-EQUIPMENT

E0170-A759B



Ref. No.	Part No.	Description	Quantity
13107	13107-7049	SHAFT	1
13271	13271-7038	PLATE	1
16171	16171-7025	LINK	1
39129	39129-0725	SPRING-GOVERNOR	1
49103	49103-7017	ARM-GOVERNOR	1
49113	49113-0725	PANEL-COMP-CONTROL	1
92145	92145-7004	SPRING	1
92145A	92145-7057	SPRING	1
92150	92150-2182	BOLT,5X18	2
92153	92153-7033	BOLT,6X35	1
92153A	92153-7043	BOLT,6X12	1
92170	92170-7001	CLAMP	2
92172	92172-0792	SCREW,5X35	2
92172A	92172-0870	SCREW,4X8	2
311	311BA0600	NUT-HEX,6MM	1
312	312AA0500	NUT-HEX,5MM	2
411	411AA0600	WASHER-PLAIN,6MM	1

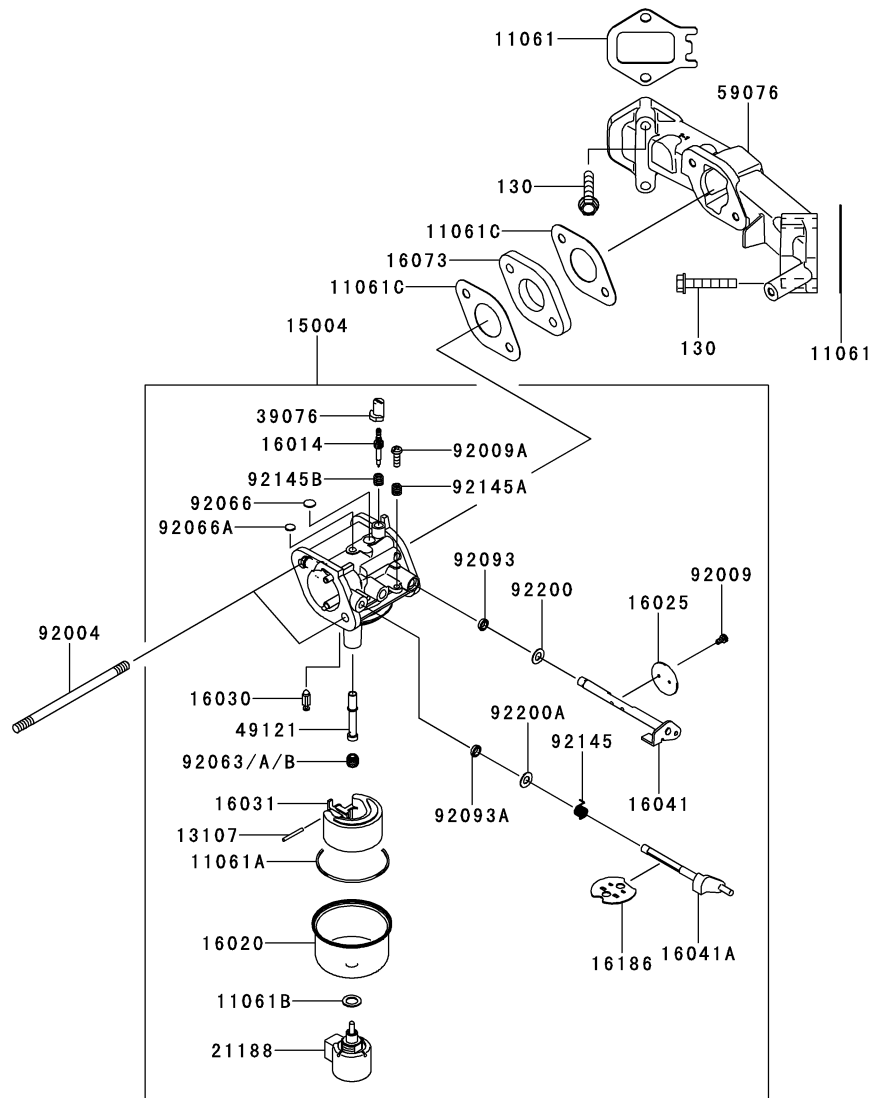
This catalog covers:

FS600V- □ S02

This fig. covers:

08 CARBURETOR

E0180-B049A



Ref. No.	Part No.	Description	Quantity
11061	11061-0877	GASKET,MANIFOLD	2
11061A	11061-7009	GASKET,CHAMBER	1
11061B	11061-7010	GASKET,SCREW	1
11061C	11061-7096	GASKET,INSULATOR	2
13107	13107-7018	SHAFT	1
15004	15004-0827	CARBURETOR-ASSY	1
16014	16014-7011	SCREW-PILOT AIR	1
16020	16020-7003	CHAMBER-FLOAT	1
16025	16025-7006	VALVE-THROTTLE	1
16030	16030-7003	VALVE-FLOAT	1
16031	16031-7002	FLOAT	1
16041	16041-7018	SHAFT-CARBURETOR,THROTTLE	1
16041A	16041-7049	SHAFT-CARBURETOR,CHOKE	1
16073	16073-7007	INSULATOR	1
16186	16186-7001	VALVE-ASSY-CHOKE	1
21188	21188-7002	SOLENOID	1
39076	39076-7001	LIMITER	1
49121	49121-7019	NOZZLE-MAIN	1
59076	59076-7020	MANIFOLD-INTAKE	1
92004	92004-2149	STUD,6X98	2
92009	92009-2083	SCREW	2
92009A	92009-2349	SCREW	1
92063	92063-7046	JET-MAIN,#100,3280FT	1
	(OPTION)		
92063A	92063-7047	JET-MAIN,#098,6560FT	1
	(OPTION)		
92063B	92063-7156	JET-MAIN,#102	1
92066	92066-2204	PLUG	1
92066A	92066-2244	PLUG	1
92093	92093-0593	SEAL	1
92093A	92093-0594	SEAL	1
92145	92145-0931	SPRING	1
92145A	92145-1579	SPRING	1
92145B	92145-7015	SPRING	1
92200	92200-0848	WASHER	1
92200A	92200-2061	WASHER,9.8X5.5X1.0	1
130	130AA0635	BOLT-FLANGED,6X35	4

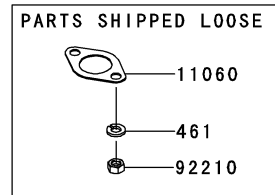
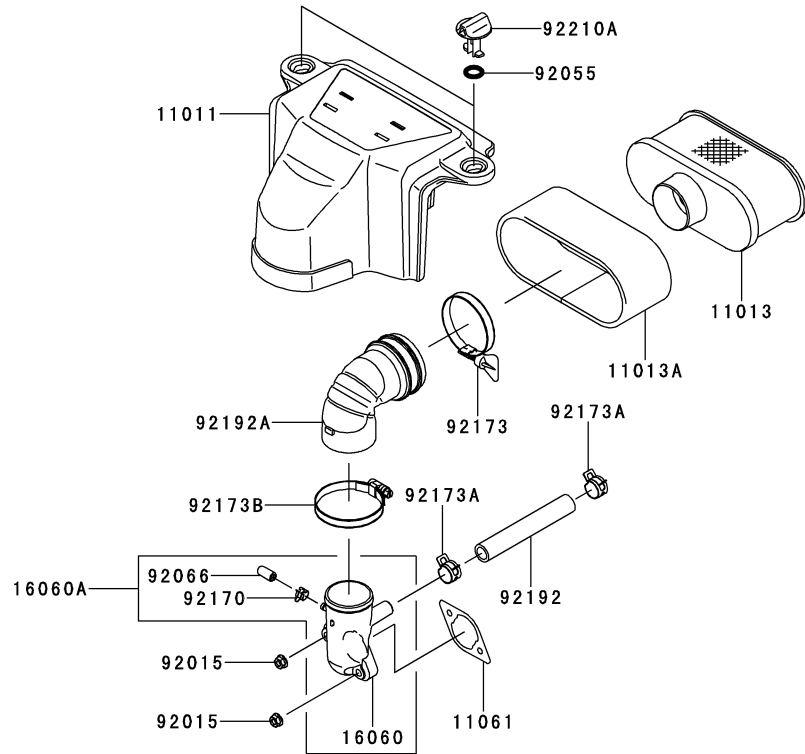
This catalog covers:

FS600V- □ S02

This fig. covers:

09 AIR-FILTER/MUFFLER

E0190-B630A



Ref. No.	Part No.	Description	Quantity
11011	11011-0787	CASE-AIR FILTER	1
11013	11013-0752	ELEMENT-AIR FILTER	1
11013A	11013-7046	ELEMENT-AIR FILTER	1
11060	11060-7016	GASKET,MUFFLER	2
11061	11061-7095	GASKET,AIR CLEANER	1
16060	16060-0740	PIPE-INTAKE	1
16060A	16060-0742	PIPE-INTAKE	1
92015	92015-1367	NUT,FLANGED,6MM	2
92055	92055-7025	RING-O	2
92066	92066-0095	PLUG	1
92170	92170-2042	CLAMP	1
92173	92173-1001	CLAMP	1
92173A	92173-7003	CLAMP	2
92173B	92173-7009	CLAMP	1
92192	92192-7146	TUBE,12.6X18.6X118	1
92192A	92192-7164	TUBE,A/C	1
92210	92210-7027	NUT,M8	4
92210A	92210-7038	NUT	2
461	461DA0800	WASHER-SPRING,8MM	4

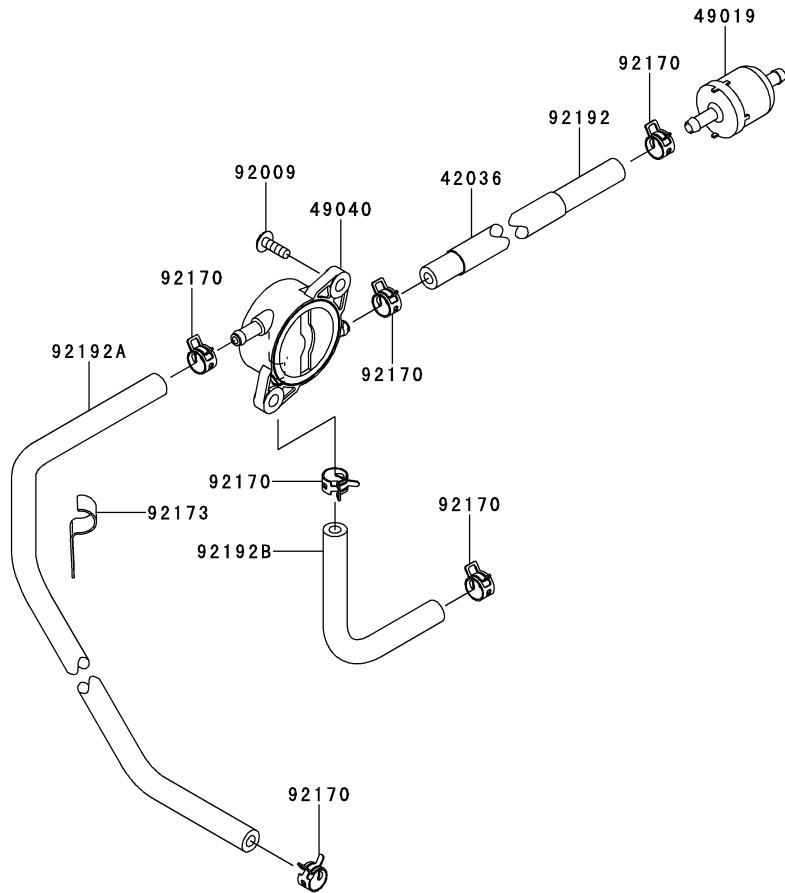
This catalog covers:

FS600V- □ S02

This fig. covers:

10 FUEL-TANK/FUEL-VALVE

E0200-A957A



Ref. No.	Part No.	Description	Quantity
42036	42036-7015	SLEEVE	1
49019	49019-7001	FILTER-FUEL	1
49040	49040-7008	PUMP-FUEL	1
92009	92009-2303	SCREW	2
92170	92170-2009	CLAMP	6
92173	92173-1000	CLAMP	1
92192	92192-1551	TUBE,6.35X12.7X185	1
92192A	92192-1560	TUBE,6.35X12.7X375	1
92192B	92192-7148	TUBE,6.4X12.7X150	1

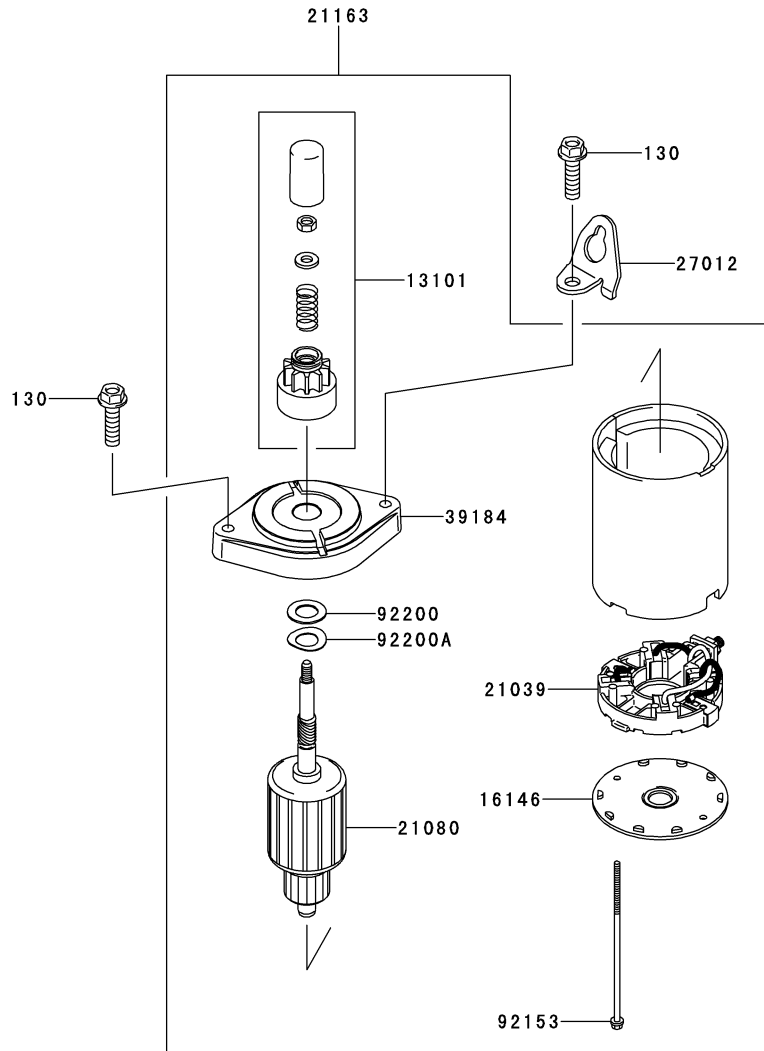
This catalog covers:

FS600V- □ S02

This fig. covers:

11 STARTER

E0210-A725A



Ref. No.	Part No.	Description	Quantity
13101	13101-0650	GEAR-ASSY	1
16146	16146-7013	COVER-ASSY	1
21039	21039-7002	BRUSH	1
21080	21080-0009	ARMATURE	1
21163	21163-0749	STARTER-ELECTRIC	1
27012	27012-7008	HOOK	1
39184	39184-0019	BRACKET-ASSY	1
92153	92153-7034	BOLT	2
92200	92200-7023	WASHER	1
92200A	92200-7024	WASHER	1
130	130BA0830	BOLT-FLANGED,8X30	2

This catalog covers:

FS600V- □ S02

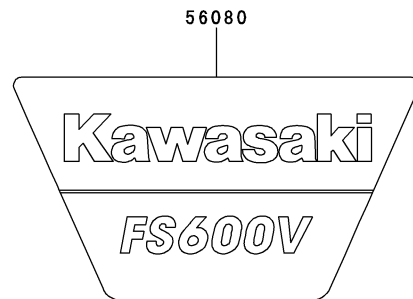
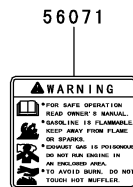
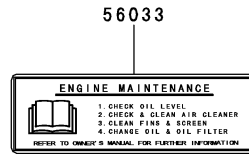
12

This fig. covers:

LABEL

F0290-B751E

Ref. No.	Part No.	Description	Quantity
56033	56033-7001	LABEL-MANUAL	1
56071	56071-0216	LABEL-WARNING	1
56080	56080-0751	LABEL-BRAND	1



This catalog covers:

FS600V- □ S02

This fig. covers:

PART NAME INDEX

AIR-FILTER/MUFFLER	09
CARBURETOR	08
CONTROL-EQUIPMENT	07
COOLING-EQUIPMENT	05
CYLINDER/CRANKCASE	01
ELECTRIC-EQUIPMENT	06
FUEL-TANK/FUEL-VALVE	10
LABEL	12
LUBRICATION-EQUIPMENT	04
PISTON/CRANKSHAFT	02
STARTER	11
VALVE/CAMSHAFT	03

This catalog covers:

FS600V- □ S02

This fig. covers:

NUMERICAL PARTS INDEX

Part No.	Fig No.	Part No.	Fig No.	Part No.	Fig No.	Part No.	Fig No.	Part No.	Fig No.
11004-7027	01	16126-7020	01	92009-2303	06	92172-0870	01		
11008-7050	01	16146-7013	11	92009-2303	10	92172-0870	07		
11008-7051	01	16154-7010	04	92009-2349	08	92172-7018	06		
11011-0787	09	16154-7011	04	92015-1367	09	92173-1000	10		
11013-0752	09	16171-7025	07	92026-7007	05	92173-1001	09		
11013-7046	09	16186-7001	08	92033-0725	02	92173-7003	09		
11022-0038	01	172BA0822	01	92033-0727	03	92173-7009	09		
11022-0710	01	21039-7002	11	92039-0751	05	92192-1551	10		
11055-7009	03	21066-7017	06	92043-0858	01	92192-1560	10		
11060-7016	09	21080-0009	11	92043-1263	01	92192-7146	09		
11061-0877	08	21163-0749	11	92049-7001	01	92192-7148	10		
11061-7009	08	21171-0740	06	92049-7010	01	92192-7164	09		
11061-7010	08	21188-7002	08	92049-7019	01	92200-0848	08		
11061-7083	01	21193-0035	06	92049-7028	01	92200-0945	03		
11061-7094	01	23062-7022	05	92055-7025	09	92200-2061	08		
11061-7095	09	26011-7025	06	92063-7046	08	92200-2151	03		
11061-7096	08	26031-7040	06	92063-7047	08	92200-7002	06		
12004-7009	03	26031-7047	06	92063-7156	08	92200-7023	11		
12005-0735	03	27012-0721	01	92066-0095	09	92200-7024	11		
12009-7001	03	27012-7008	11	92066-0761	01	92200-7048	03		
12011-2056	03	311BA0600	07	92066-0762	01	92210-7027	09		
12016-0040	03	312AA0500	07	92066-0762	06	92210-7038	09		
12032-7001	03	312AA0600	03	92066-0774	04				
13001-7031	02	32155-7003	01	92066-2204	08				
13002-7001	02	39076-7001	08	92066-2223	01				
13008-7006	02	39129-0725	07	92066-2244	08				
13025-7010	02	39184-0019	11	92070-7004	06				
13029-7011	02	411AA0600	07	92072-7003	06				
13031-0814	02	42036-7015	10	92093-0593	08				
13070-7017	03	42036-7021	03	92093-0594	08				
130AA0620	06	461DA0800	09	92104-0007	01				
130AA0635	08	49015-0019	01	92140-7003	04				
130BA0625	01	49019-7001	10	92140-7005	03				
130BA0830	11	49040-7008	10	92145-0931	08				
130CA0870	01	49065-7006	04	92145-1579	08				
13101-0650	11	49065-7007	04	92145-1653	03				
13107-7018	08	49078-7002	03	92145-1658	04				
13107-7049	07	49089-7083	05	92145-7004	07				
13116-7008	03	49089-7084	05	92145-7015	08				
13251-7021	02	49103-7017	07	92145-7057	07				
13271-7007	03	49113-0725	07	92150-2182	07				
13271-7021	03	49118-0809	03	92151-7012	05				
13271-7038	07	49120-0731	01	92151-7017	02				
13272-1374	01	49121-7019	08	92152-1689	03				
13272-1487	05	510A5100	06	92153-7007	05				
13272-7011	04	55020-0900	05	92153-7008	04				
14037-7008-9H	05	555A0420	04	92153-7033	07				
14075-0037	04	56033-7001	12	92153-7034	11				
14091-7064	01	56071-0216	12	92153-7043	01				
15004-0827	08	56080-0751	12	92153-7043	04				
16014-7011	08	59031-7017	06	92153-7043	05				
16020-7003	08	59041-0008	05	92153-7043	07				
16025-7006	08	59066-0044	05	92153-7054	01				
16030-7003	08	59071-0733	01	92153-7100	03				
16031-7002	08	59076-7020	08	92154-1267	03				
16041-7018	08	59231-0712	04	92154-7003	06				
16041-7049	08	670B2011	01	92170-2009	10				
16060-0740	09	670D2016	04	92170-2042	09				
16060-0742	09	92004-2149	08	92170-7001	07				
16073-7007	08	92009-2083	08	92172-0792	07				